

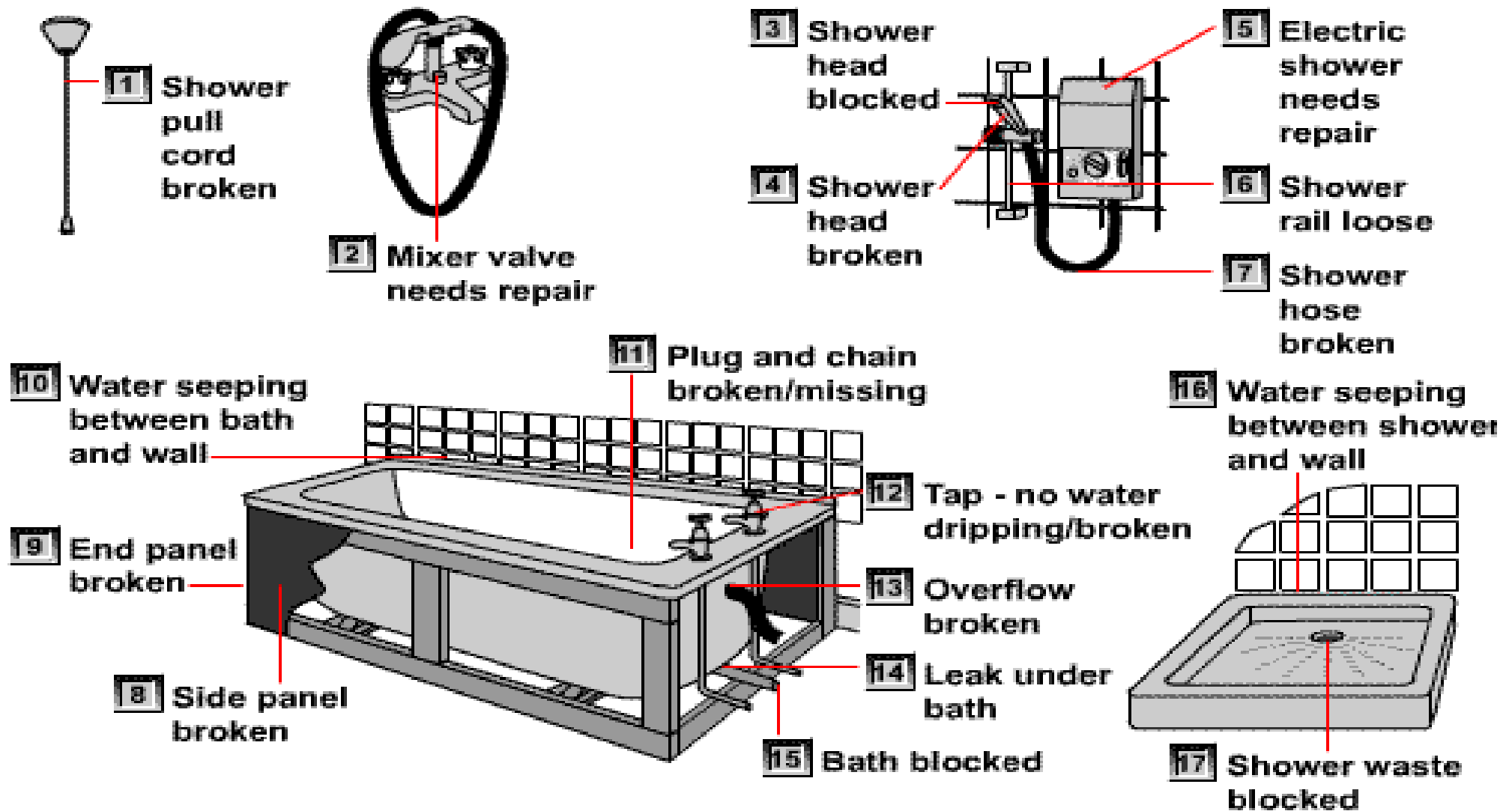


Repairs Guide

Contents

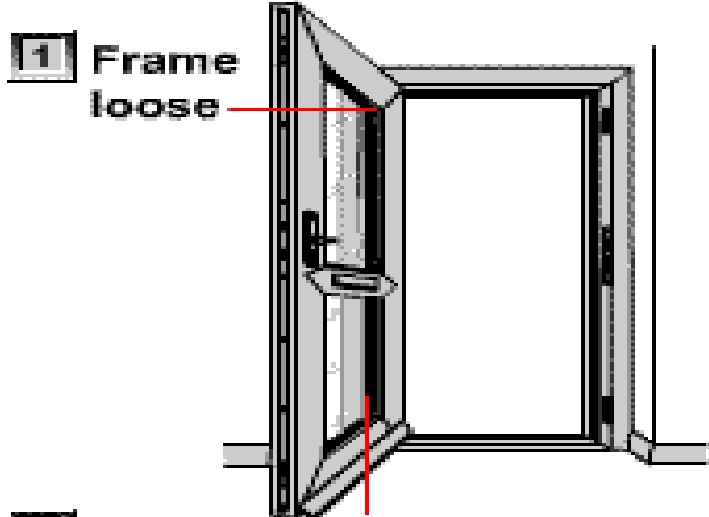
Baths and Showers.....	3
Doors – All Doors.....	4
Doors – Communal Doors.....	5
Doors – Garage.....	6
Doors- Locks.....	7
Doors- Drains.....	8
Electrics.....	9
Fencing.....	10
Floors, Walls & Ceilings.....	11
Glazing – Doors.....	12
Glazing – Windows.....	13
Heating.....	14
Heating – Electrics.....	15
Heating – Gas.....	16
Kitchen Units.....	17
Roof.....	18
Sinks & Basins.....	19
Stairs.....	20
Toilets.....	21
Water Services.....	22
Windows - Metal.....	23
Windows – UPVC.....	24
Windows – Timber.....	25

Baths and Showers



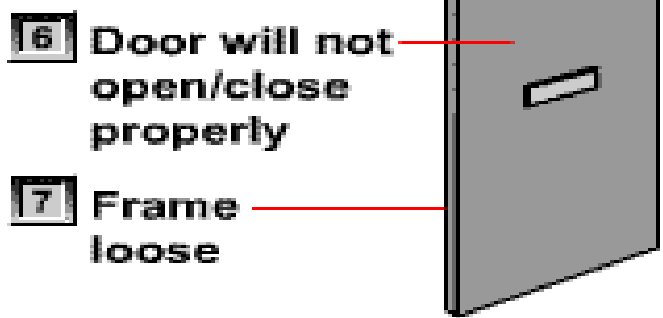
Doors – All doors

DOUBLE GLAZED PVC DOOR



4 Door will not open/close properly

MULTI LOCK DOOR

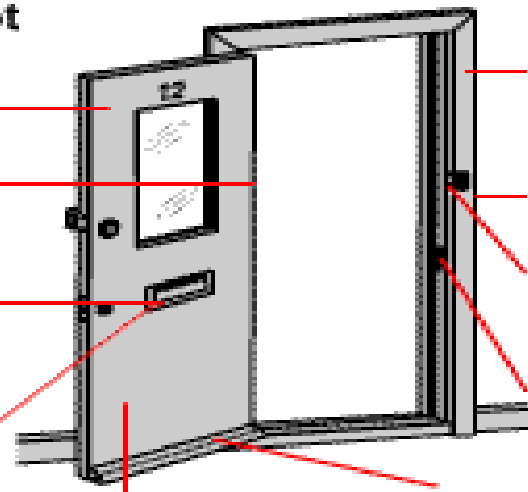


8 Door will not open/close properly

9 Hinges defective

10 Letter plate loose

11 Letter plate broken



12 Door damaged or rotten

TIMBER DOOR

13 Door/frame damaged

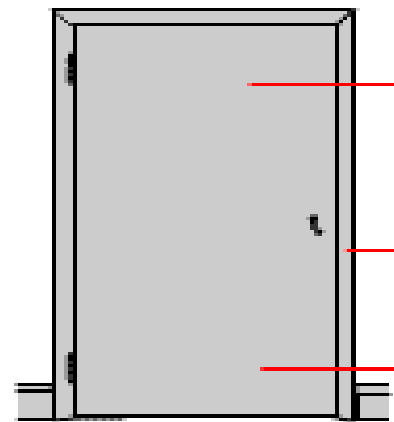
14 Frame loose

15 Striking plate/keep loose

16 Striking plate/keep broken

17 Weatherboard damaged/missing

INTERNAL DOOR

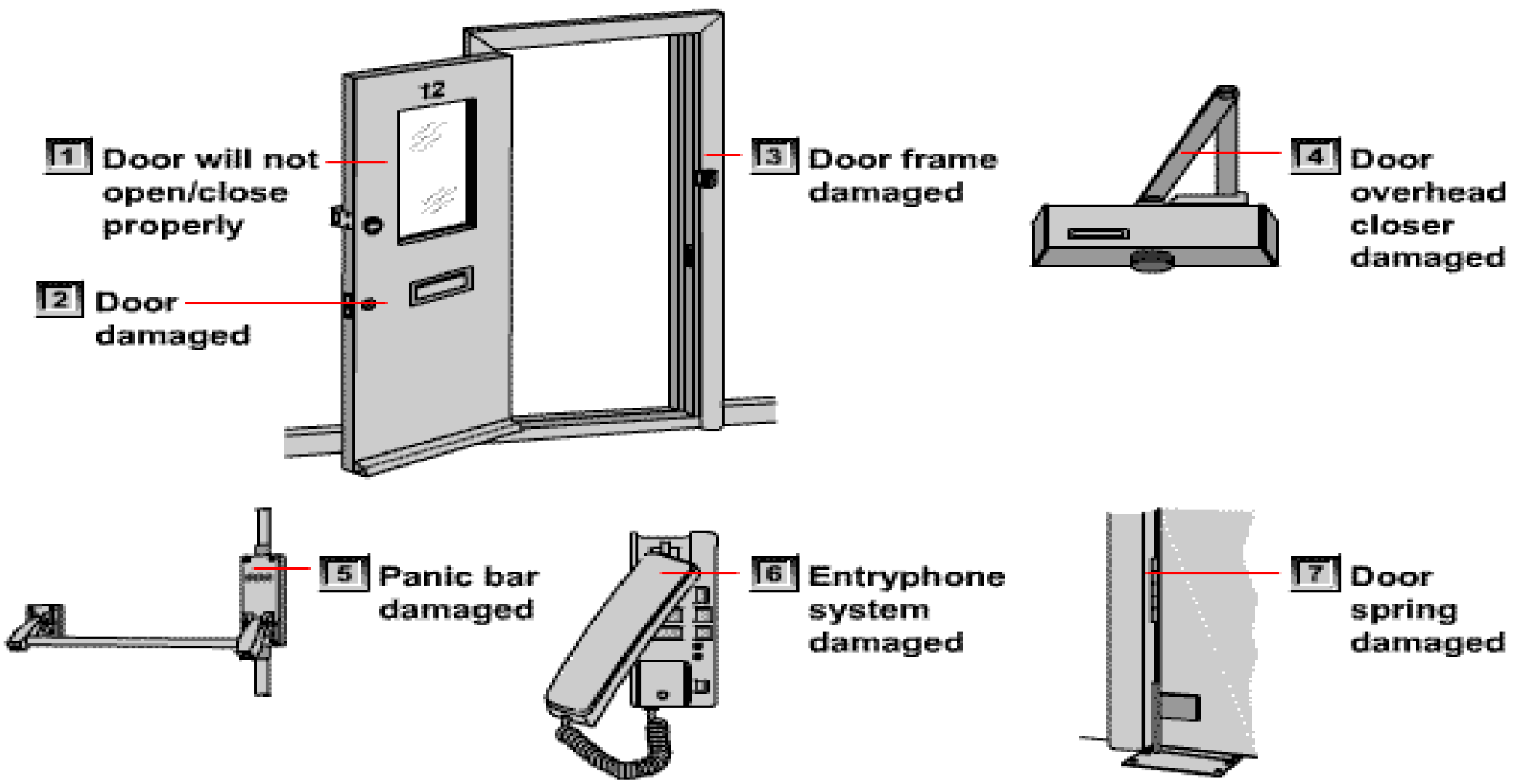


18 Door will not open/close properly

19 Frame loose or damaged

20 Door damaged

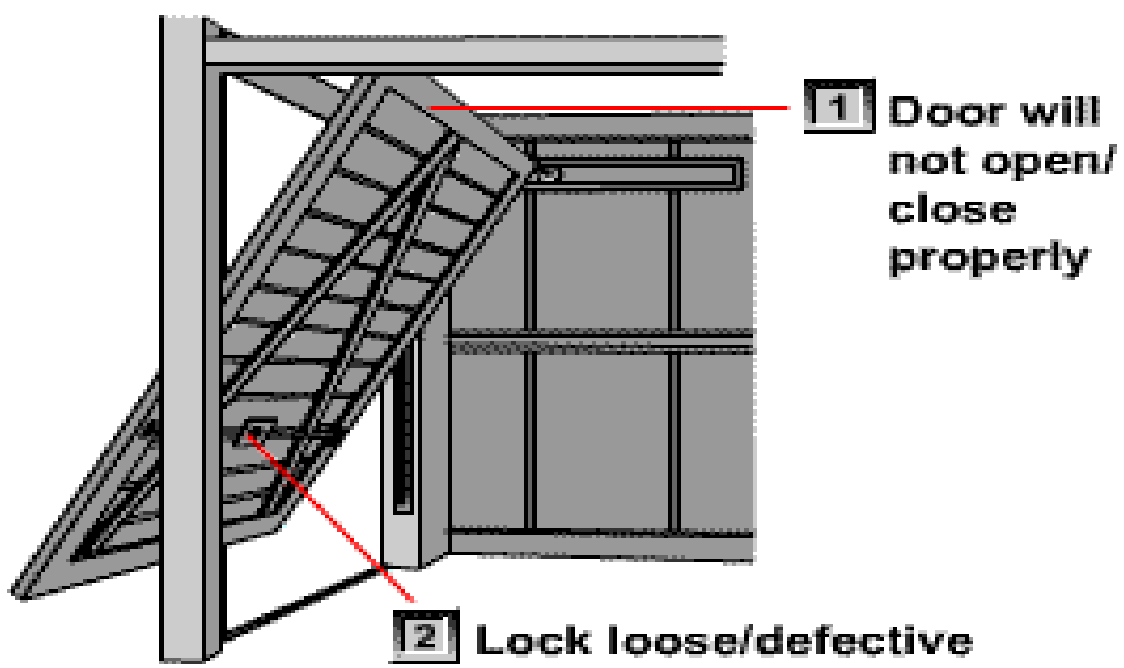
Doors - Communal Doors



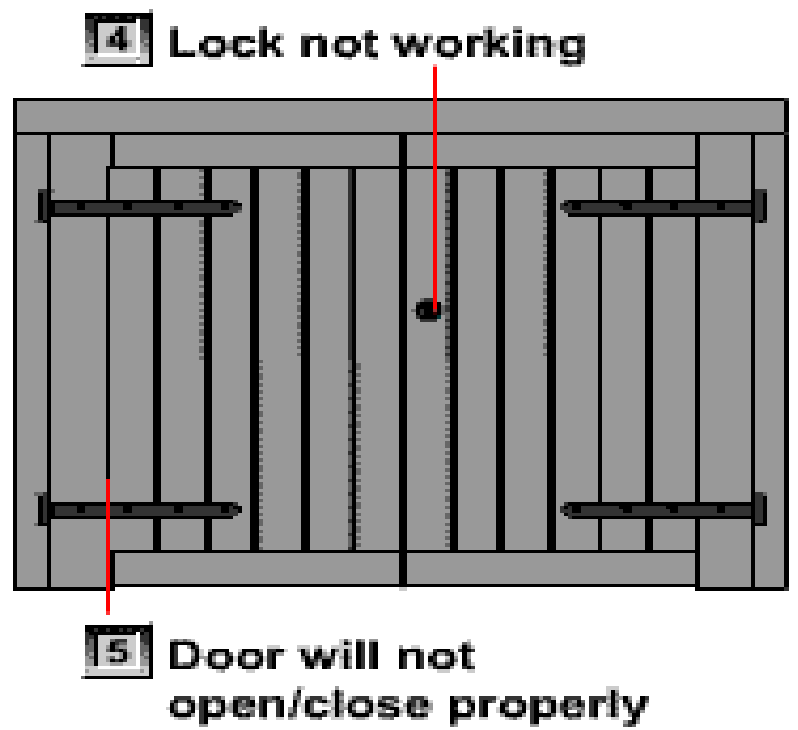
This information booklet has been produced to provide you with ease of mind when reporting a repair

Doors - Garage Door

UP AND OVER GARAGE DOOR

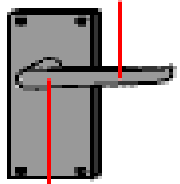


SIDE OPENING GARAGE DOOR



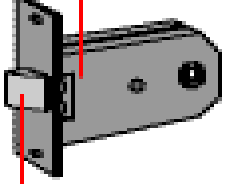
Doors - Locks

1 Knob or handle loose



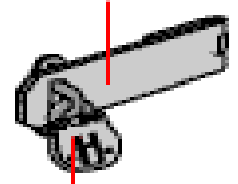
2 Knob or handle broken

11 Mortice latch loose



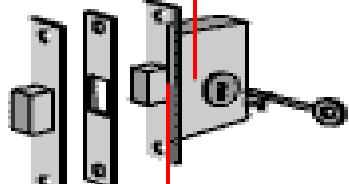
12 Mortice latch broken/missing

3 Fitting for padlock loose



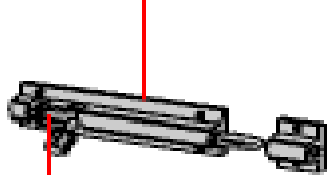
4 Fitting for padlock broken

13 Mortice lock loose



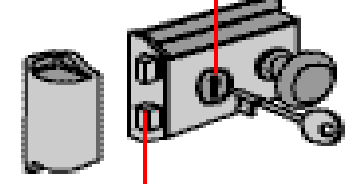
14 Mortice lock broken/missing

5 Bolt loose



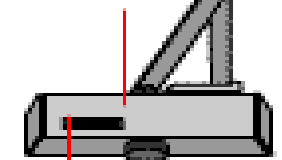
6 Bolt broken/missing

15 Rimlock/latch loose



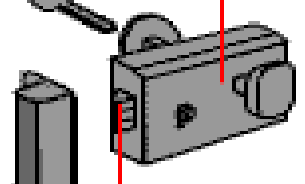
16 Rimlock/latch broken/missing

7 Closer on top of door loose/defective



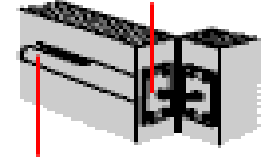
8 Closer on top of door missing

17 Cylinder lock loose



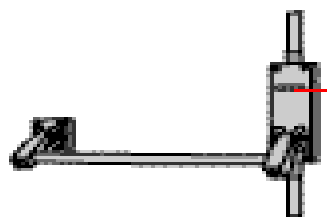
18 Cylinder lock broken/missing

9 Closer on side of door loose

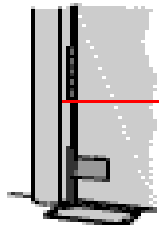


10 Closer on side of door broken

19 Fire Exit/panic bolt needs repair

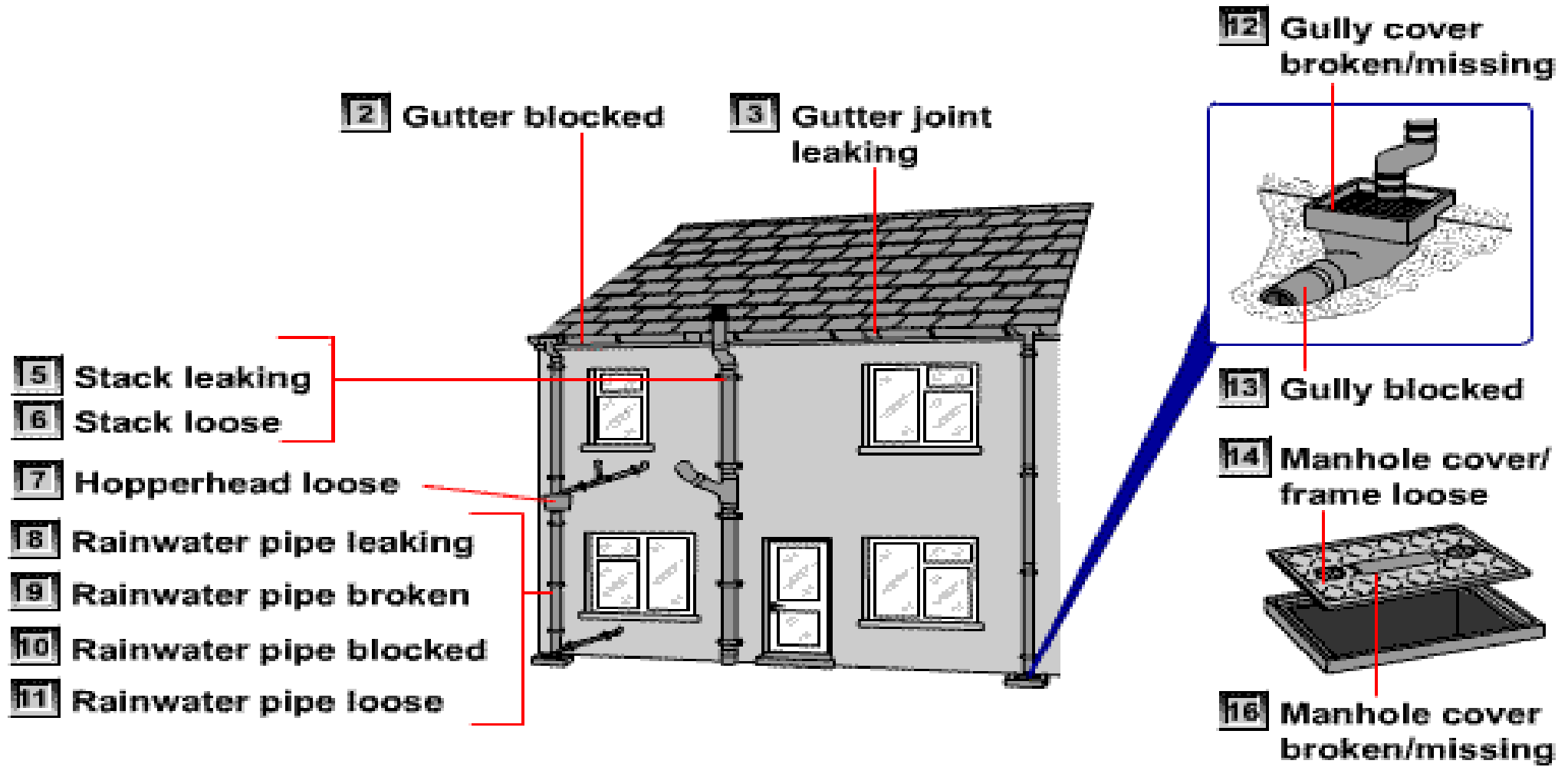


20 Floor spring not working properly



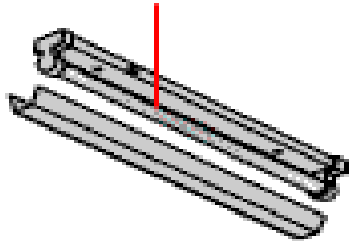
© Sx3 (2003)

Drains

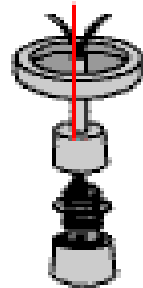


This information booklet has been produced to provide you with ease of mind when reporting a repair

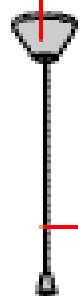
3 Fluorescent only flickers when switched on



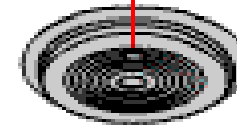
4 Light fitting damaged



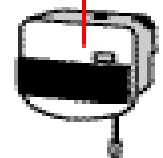
6 Pull switch broken



8 Smoke detector not working properly



9 Extractor fan not working properly

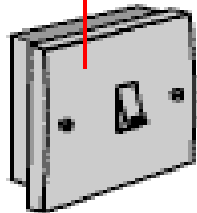


5 Batten holder damaged

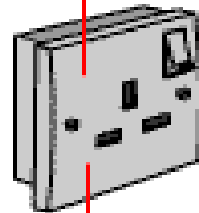


7 Pull cord broken

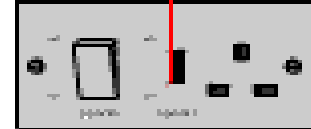
10 Light switch damaged



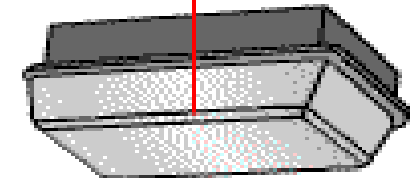
11 Socket not working properly



13 Cooker switch not working



14 Outside light not working

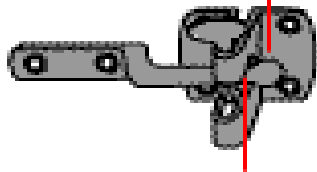


12 Socket broken

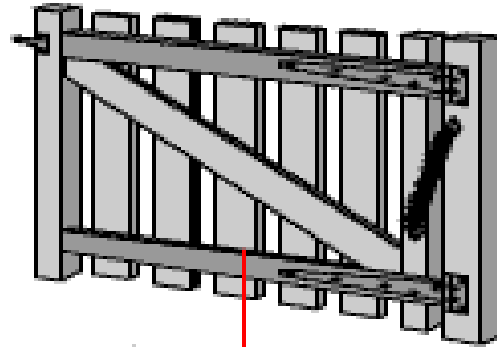
15 Waste unit not working properly

Fencing

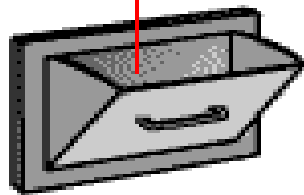
1 Gate catch loose



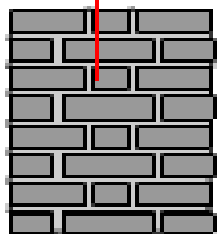
2 Gate catch broken



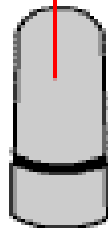
3 Refuse chute blocked



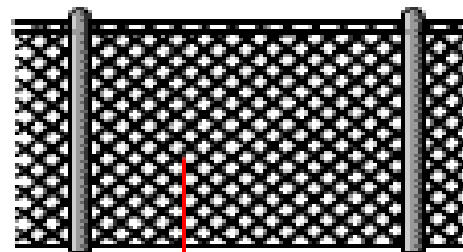
7 Damaged wall needs removing



8 Bollard damaged/missing

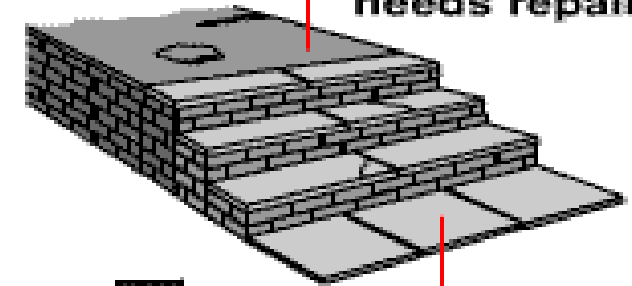


4 Gate won't open/close properly



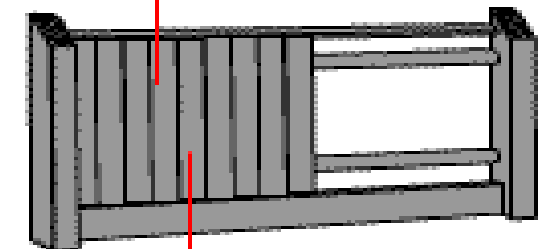
9 Hole in chain link fence

6 Tarmac surface needs repair



5 Paving slabs loose/broken

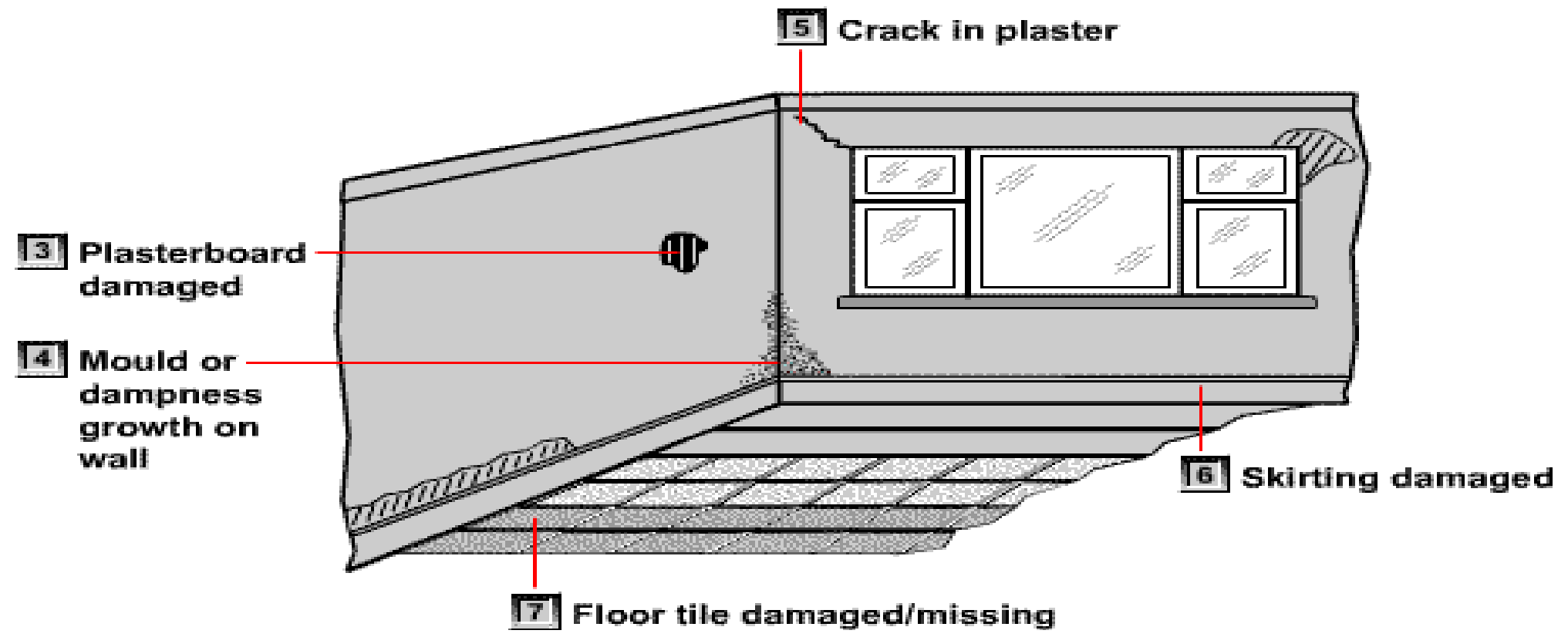
10 Hole in timber fence



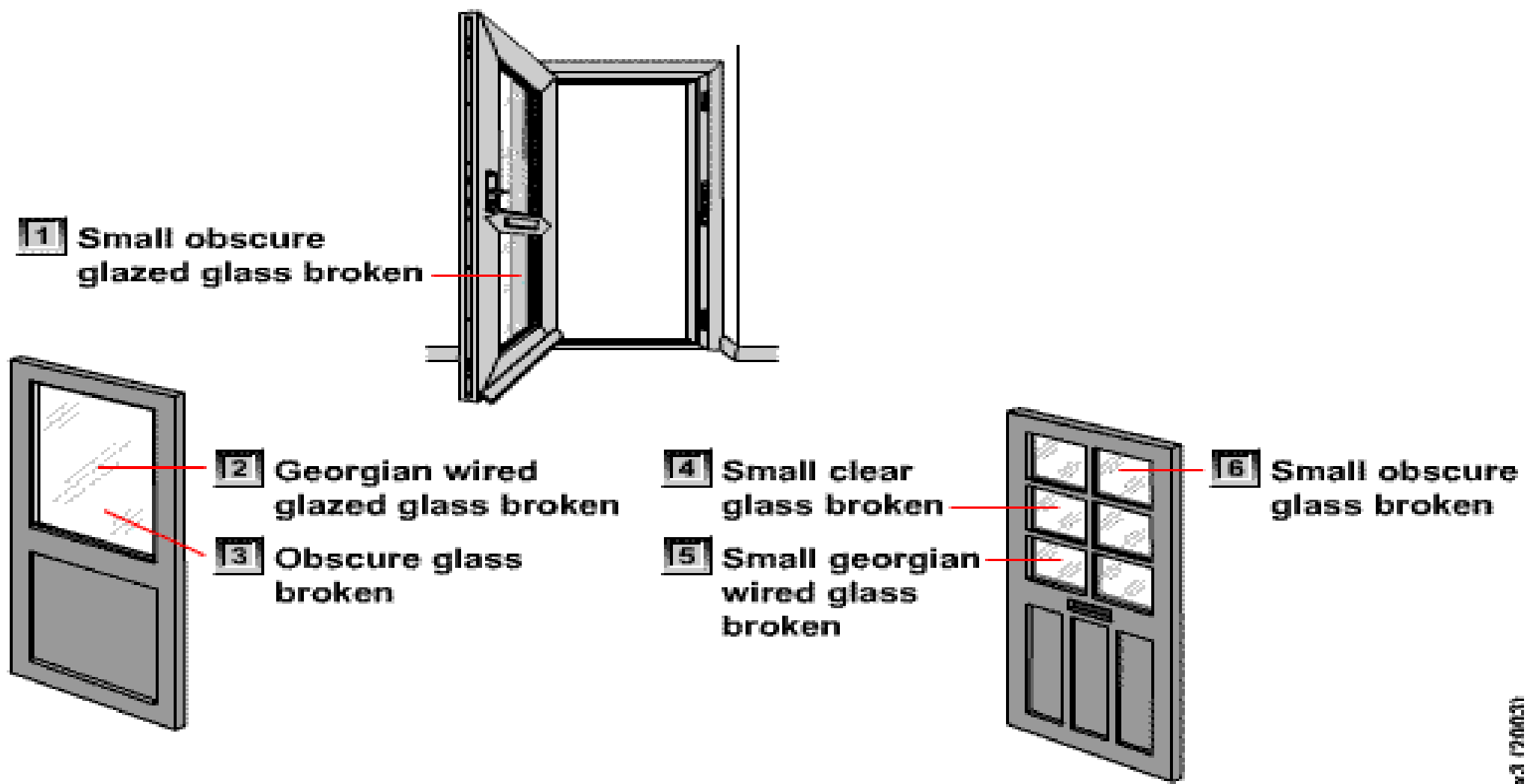
11 Damaged fencing needs taking away

Floors, Walls and Ceilings

1 1-10 ceramic wall tiles damaged/missing



Glazing - Doors



This information booklet has been produced to provide you with ease of mind when reporting a repair

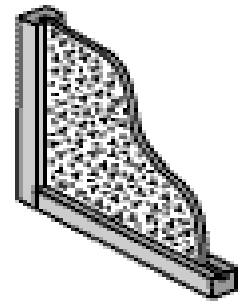
13/00002 001

Glazing - Windows

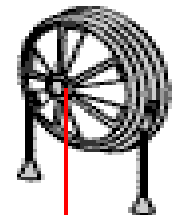
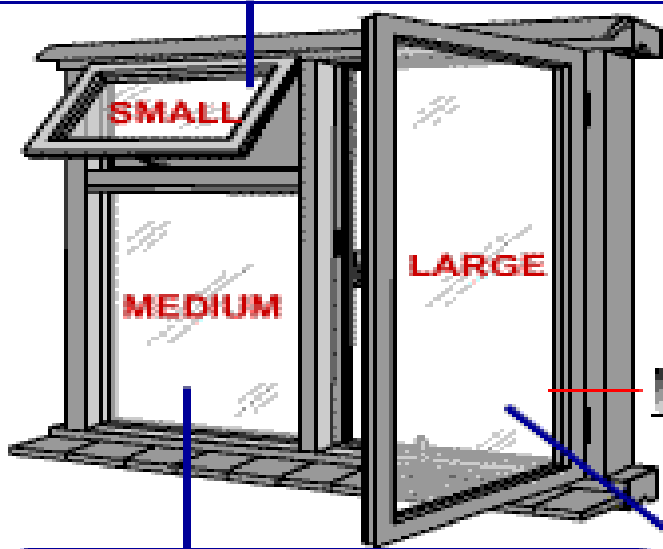
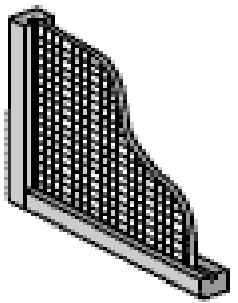
- 1** Clear louvre glass broken
- 2** Wired louvre glass broken

- 5** Small/medium wired clear glass broken
- 6** Large wired clear glass broken

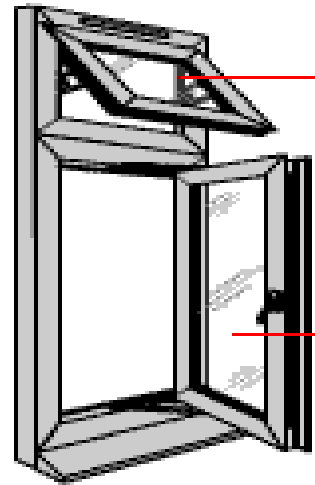
**GEORGIAN
OBSCURE**



**GEORGIAN
WIRED CLEAR**



- 8** Spinner vent broken



- 9** Small/medium double glazed unit broken

- 10** Large double glazed unit broken

- 7** Putty damaged/missing

- 11** Small/medium/large clear glass broken
- 12** Small/medium/large obscure glass broken

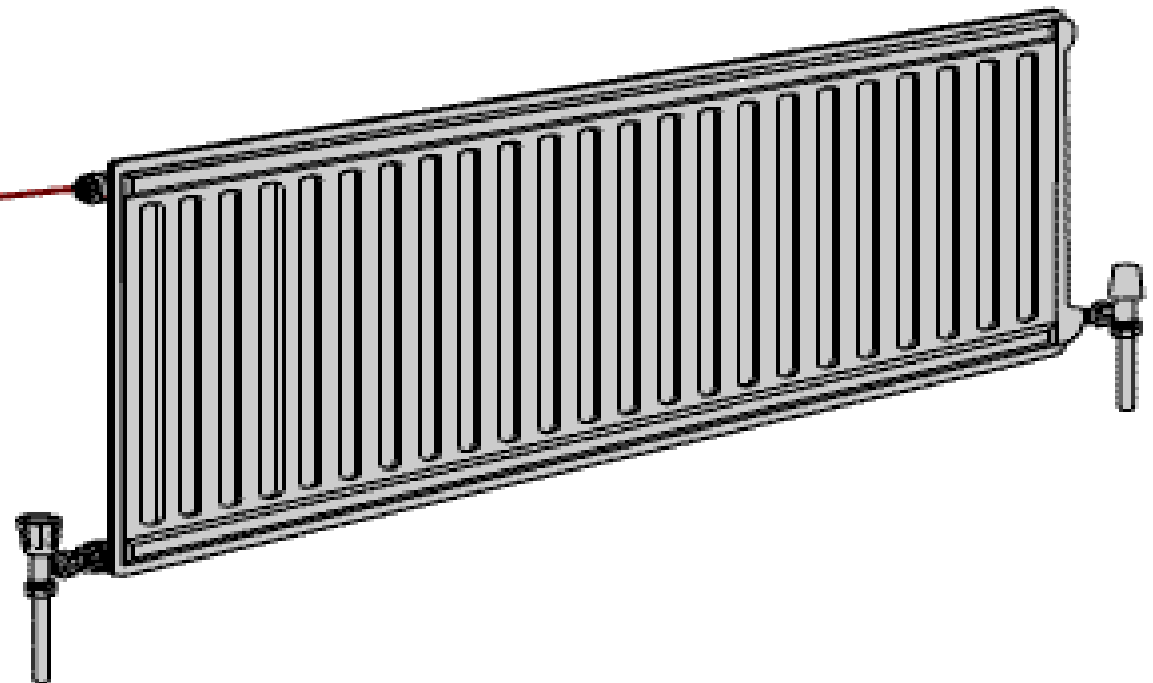
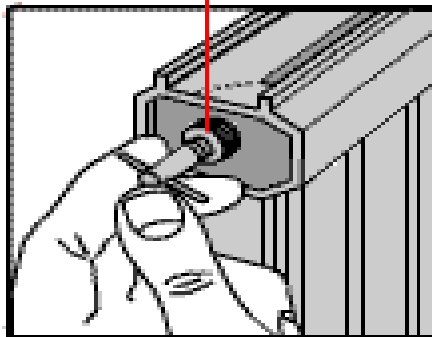
- 13** Small/medium wired obscure glass broken
- 14** Large wired obscure glass broken

© 5x3 (2003)

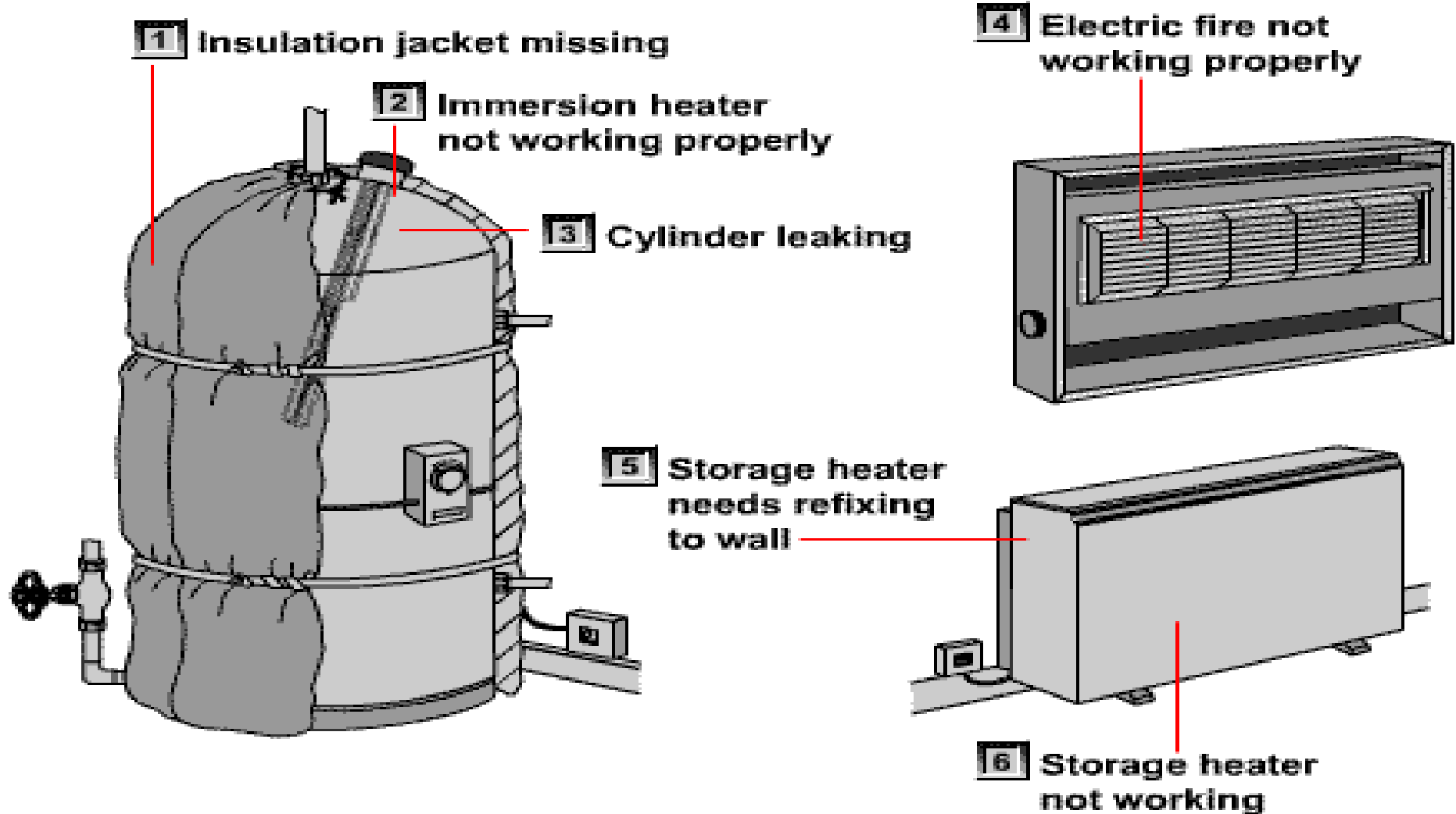
Heating - Communal

- 1** Pipe leaking
- 2** Boiler not working properly
- 3** Heating not working properly
- 4** Heating to individual property not working

- 5** Radiator not working properly

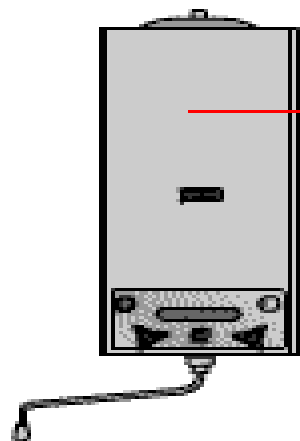


© Lexton 2014

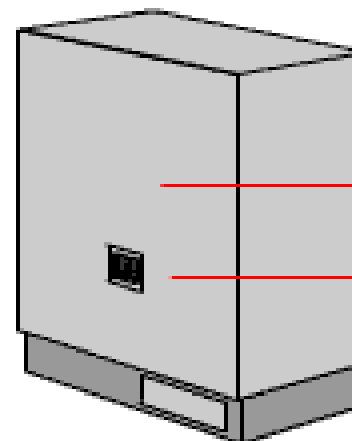


Heating - Gas

1 Gas warm air unit not working properly



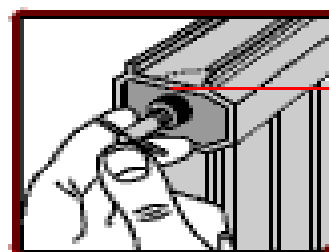
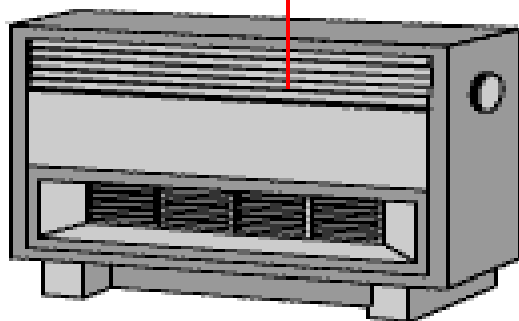
3 Sink water heater not working properly



4 No heating

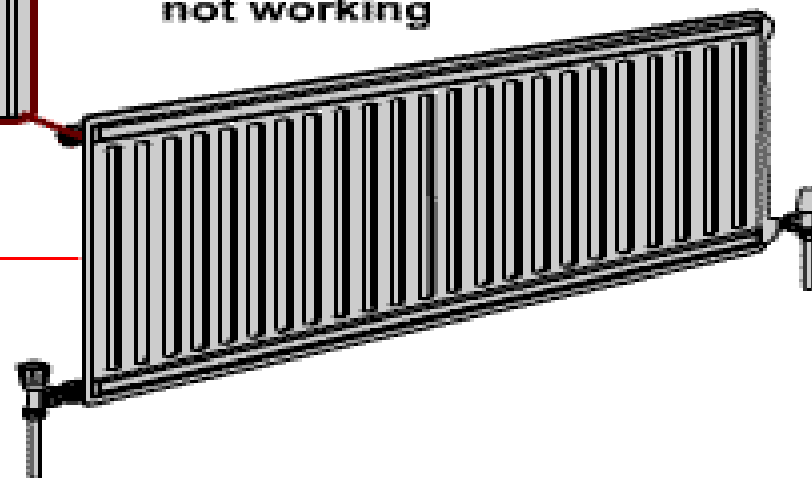
5 No hot water

6 Gas fire not working properly



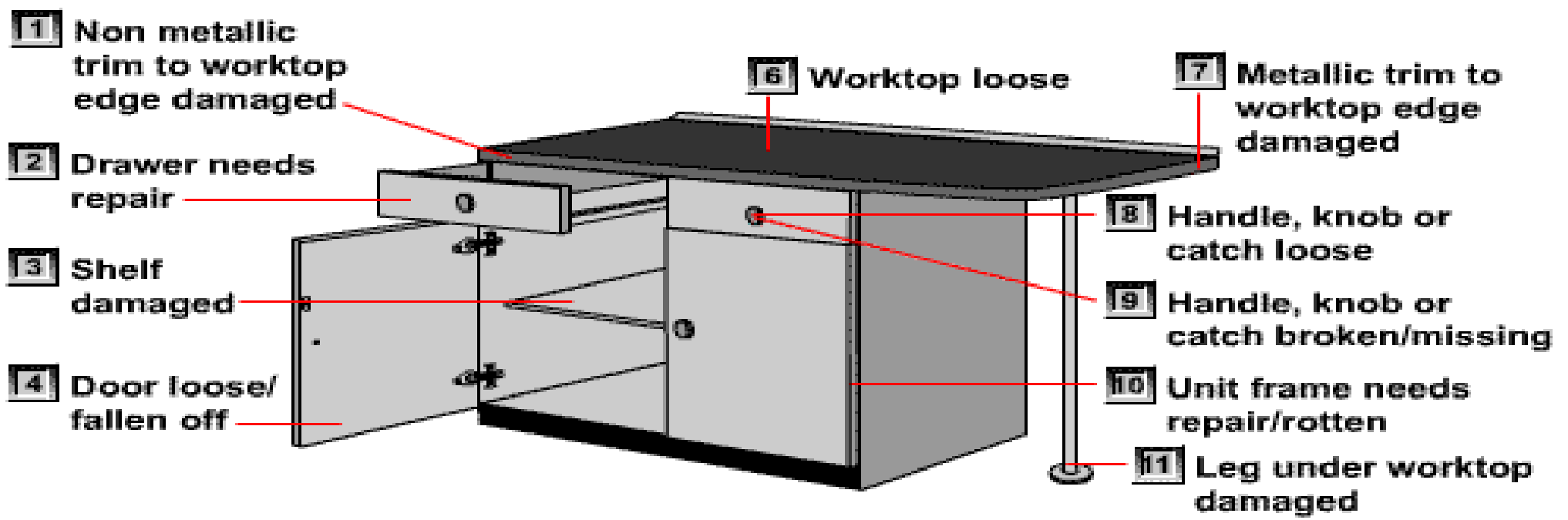
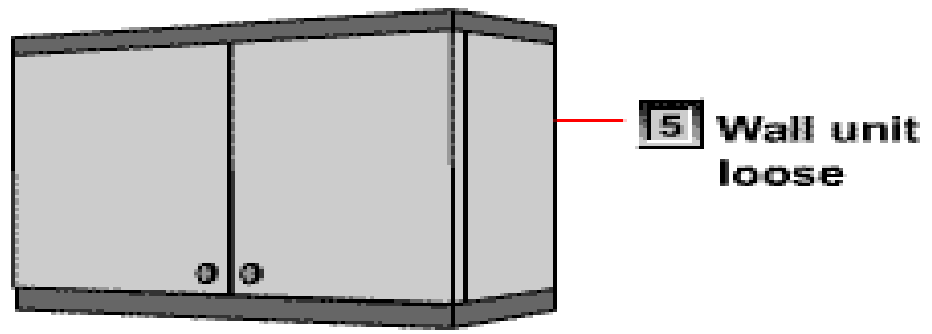
8 Single radiator not working

7 Radiator loose



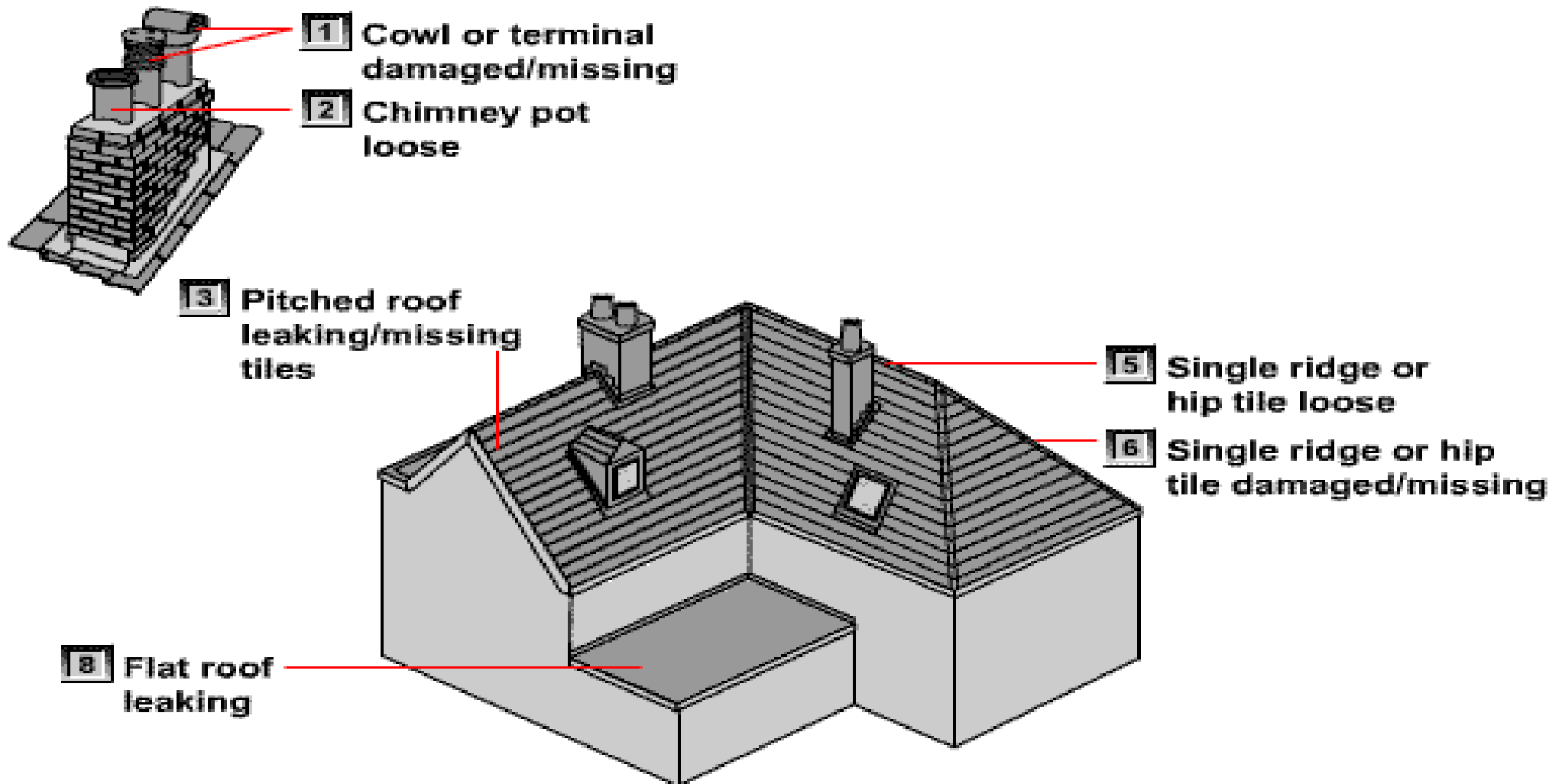
© 6x3 19/00/01

Kitchen Units

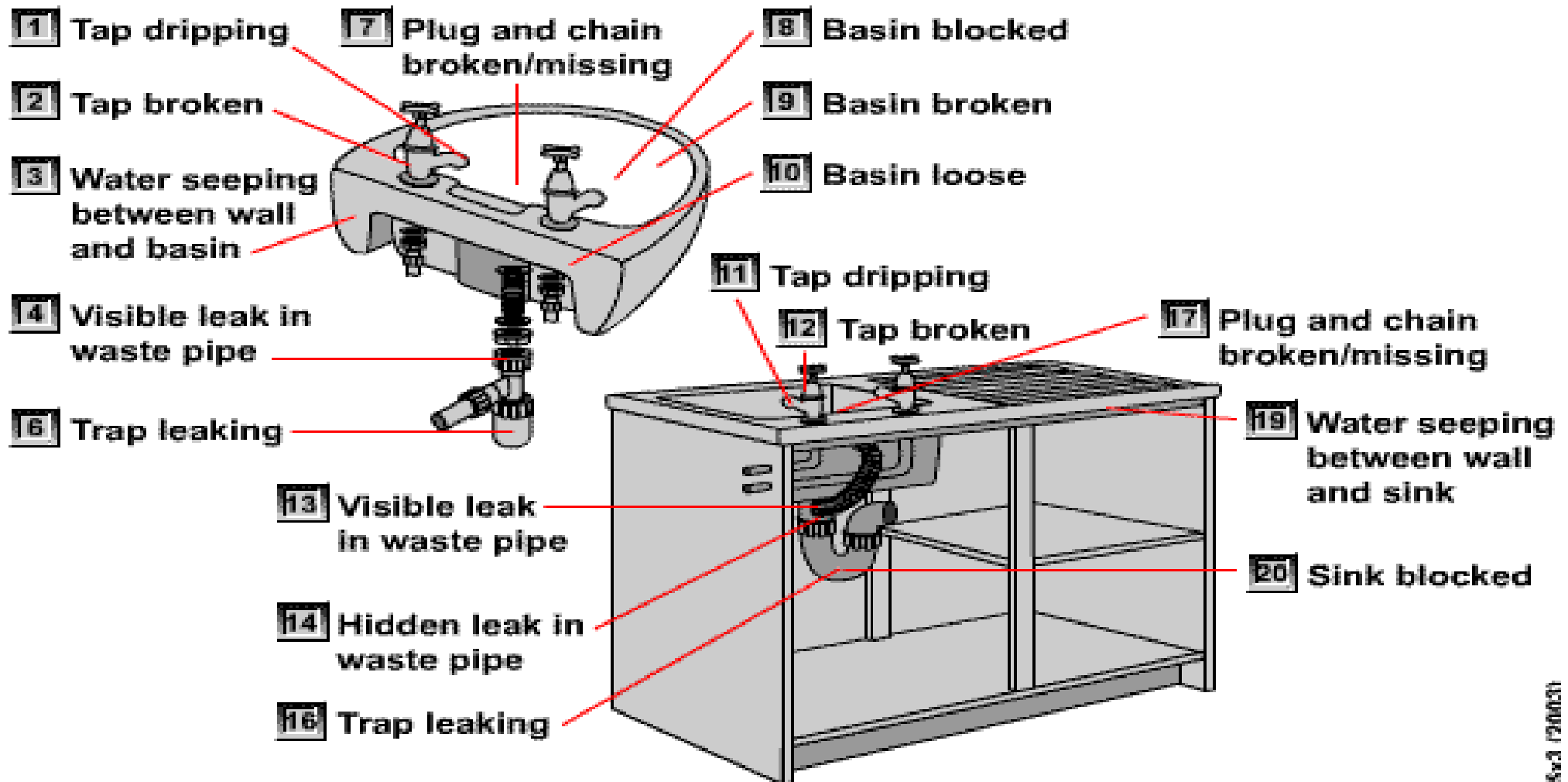


This information booklet has been produced to provide you with ease of mind when reporting a repair

Roof



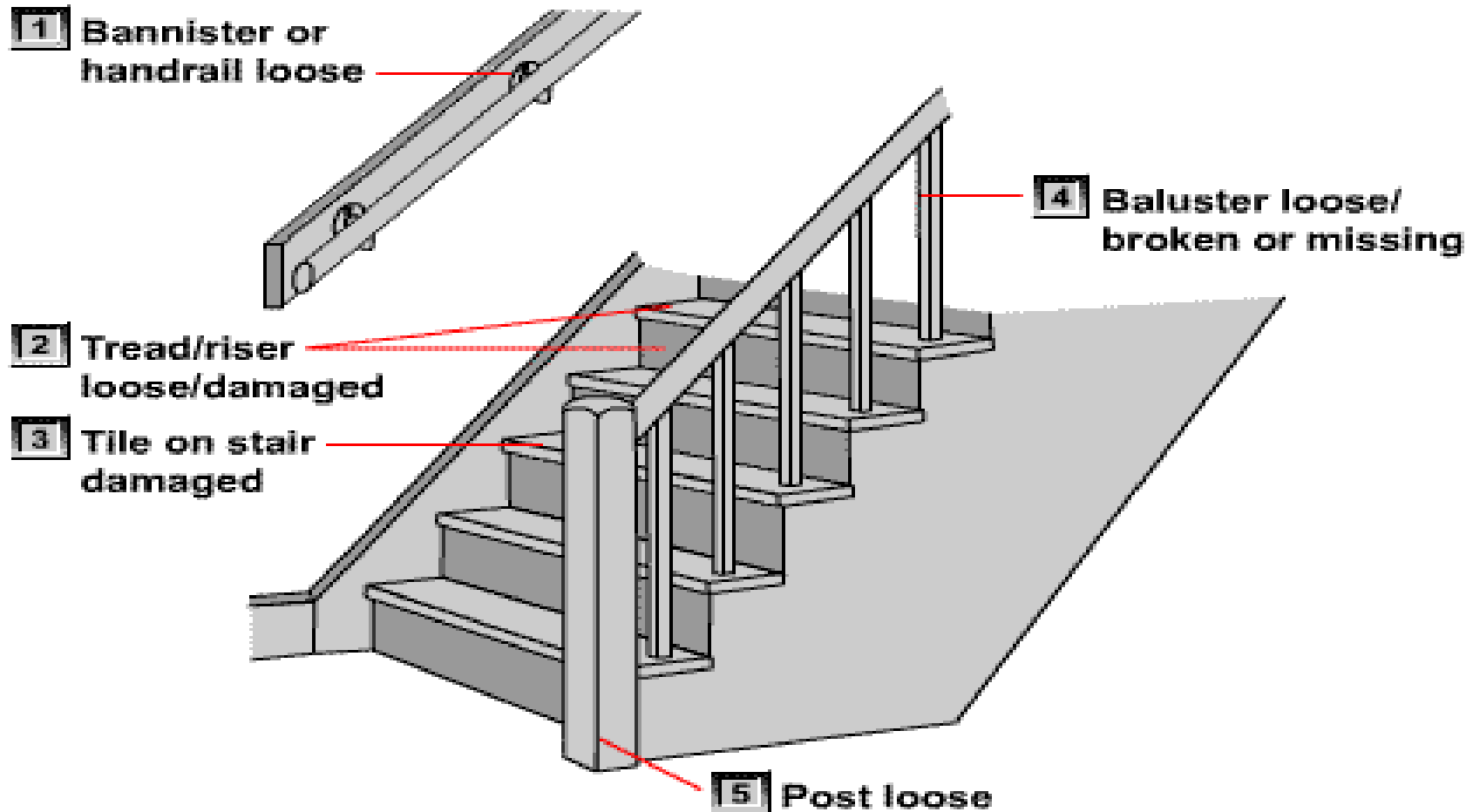
Sinks



1200021 002 003

This information booklet has been produced to provide you with ease of mind when reporting a repair

Stairs



Toilets

1 Temporary portable WC needed

2 Overflow pipe broken

3 Cistern overflowing/
not refilling/not
flushing

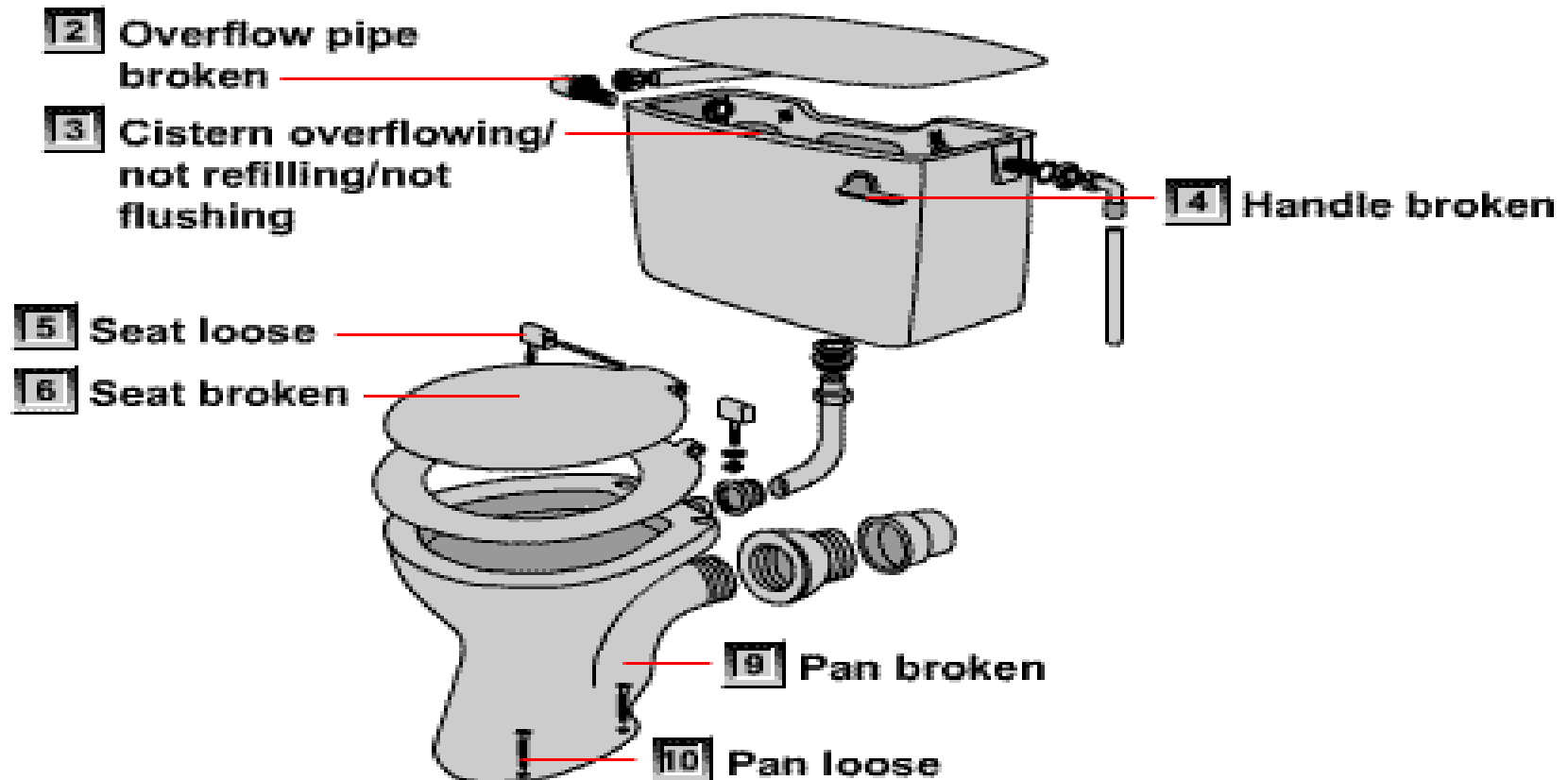
4 Handle broken

5 Seat loose

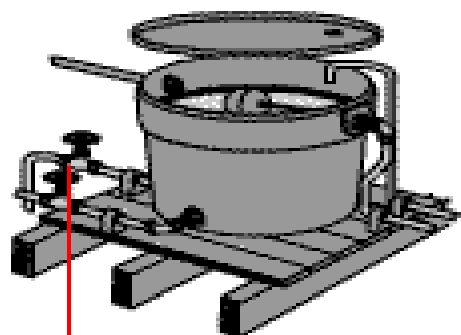
6 Seat broken

9 Pan broken

10 Pan loose

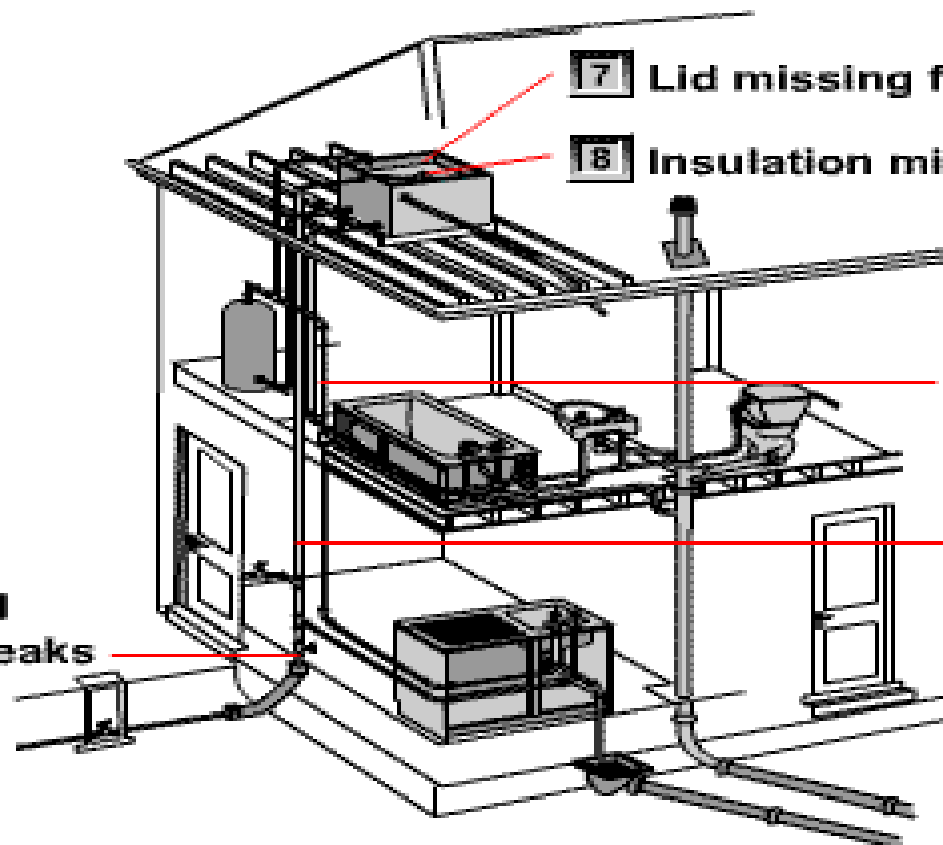


Water Services



2 No supply from communal water tank

4 Valve/stopcock will not turn on/off or leaks



7 Lid missing from tank

8 Insulation missing from tank

10 No water to bathroom

11 Knocking sounds from pipe

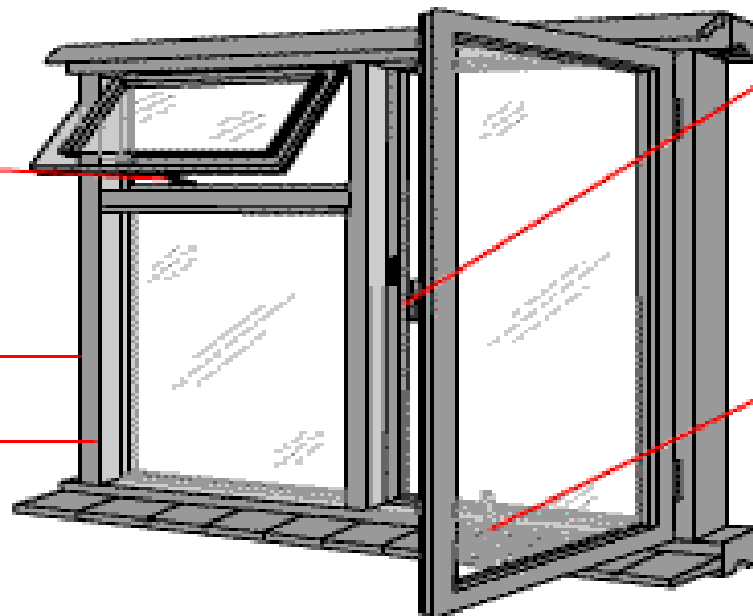
Windows - Metal

CASEMENT WINDOW

1 Metal window will not open/close properly

2 Frame loose

3 Water penetrating around frame



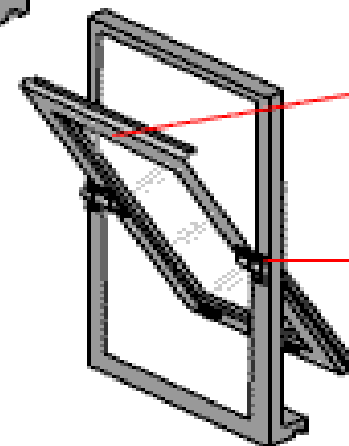
4 Side handle loose/broken

5 Bottom stay/handle loose/broken

PIVOT WINDOW

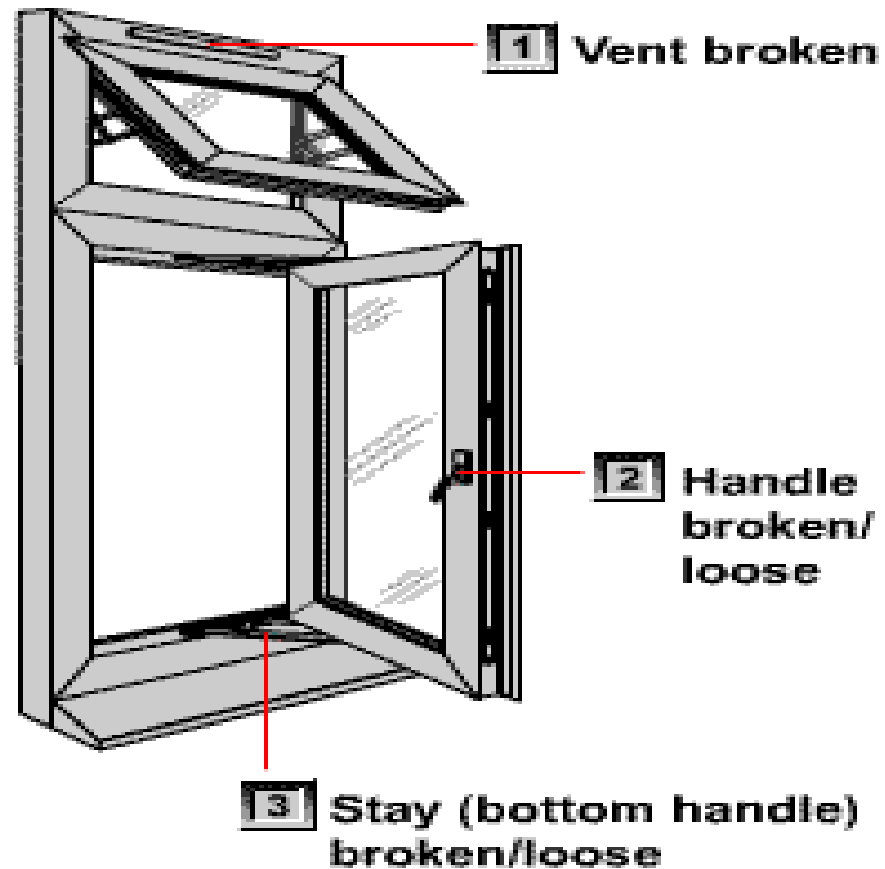
6 Window will not close

7 Hinge loose/broken



Windows - PVCU

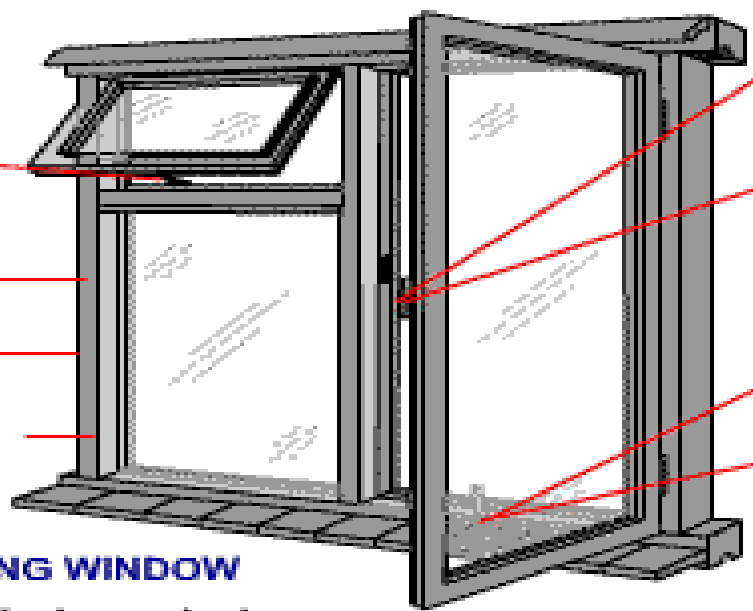
PVCU WINDOW



Windows - Timber

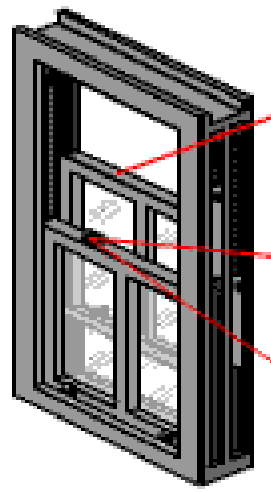
CASEMENT WINDOW

- 1** Timber window will not open/close properly
- 2** Window/frame damaged
- 3** Frame loose
- 4** Water penetrating around frame



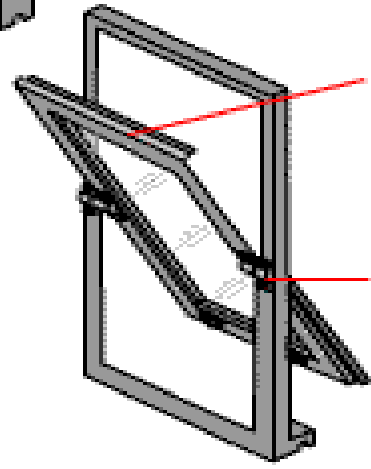
- 5** Side handle loose
- 6** Side handle broken
- 7** Bottom stay/handle loose
- 8** Bottom stay/handle broken

SLIDING WINDOW



- 9** Timber window will not open/close properly
- 10** Fastener will not close
- 11** Fastener missing/broken

PIVOT WINDOW



- 12** Window will not close
- 13** Hinge loose/broken